

# Maintenance

- For the safe use, maintain the product periodically.
- When cleaning and maintaining, do not install or remove the product under unstable conditions.

## Inspection items

- Check that the product is installed properly.
- Check that the caulking materials are free from deterioration such as cracks.
- Check that the screws are not loose.
- Check that the product is free from rust or float of the coating.

### Note:

- Repair or replace parts (products) as necessary according to the inspection results.

## Cleaning

- In places where the product is exposed to salt water, to remove accumulated salt, wash the product with water regularly.  
Dirt such as salt or yellow sand causes rust.
- Clean the net approximately every three months because dust accumulated on the net reduce the air volume and may cause malfunction on the Lossnay.

### ⚠ Caution

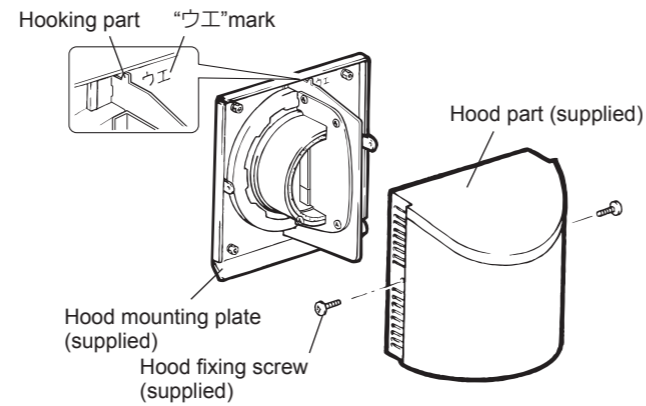
**Wear gloves when maintaining the product.**  
Injury could result.

### Securely install parts.

Injuries could result if the unit falls.

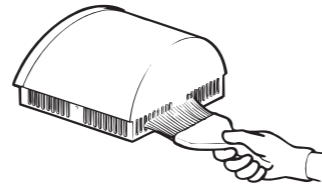
## 1. Removing the hood part

- (1) Remove hood fixing screws (2 pieces).
- (2) Unhook and remove the hood part from the hooking part by lifting the hood part with both hands.  
- Make sure not to lose the removed screws. The screws are needed at the end of installation.



## 2. Cleaning the hood part

Remove the dust on the hood by using a broom.



## 3. Installing the hood part

Hook the hood part on the upper hooking part of the hood mounting plate. Install the hood with the hood fixing screws.

### Note:

- Clean the hood periodically.
- When washed the product with water, dry the product thoroughly.
- When cleaning or repairing the product, do not use solvents, including thinner, alcohol, and other chemical agents (acid or alkali detergent).



Mitsubishi Lossnay Ventilator  
System Component

Square-shaped stainless hood <with moth-proof net>

MODEL

**P-50VSQ5-E**



Applicable Model

Lossnay 1 pipe Series  
VL-50S2-E, VL-50ES2-E, etc

## Installation Manual / Operating Instructions

This square-shaped stainless hood is installed outdoor side of the installed Lossnay, and is used to prevent rainwater and wind from entering.

- Before installation, read this manual and the installation manual attached to the Lossnay main unit carefully to ensure correct and safe installation.
- The installation work must be done by an authorized dealer or qualified contractor. Incorrect installation can lead to breakdowns and accidents. (Installation by the customer can lead to breakdowns.)

After completing the installation, make sure to give this manual to the user.

- Read the instructions carefully before use.
- After reading, store the manual in a handy location for easy access.

## Safety precautions

Hazards created by mishandling and their severity are indicated by the following markers.

	<b>WARNING</b> This applies to mishandling or misoperation of the product which could lead to a fatal or serious injury.
	<b>Do not install the product in places where the product may be exposed to vibration.</b> Injuries could result if the unit falls.
	<b>Select a sufficiently strong location for installation work.</b> Injuries could result if the unit falls.
	<b>CAUTION</b> This applies to mishandling or misoperation of the product which will lead to an injury or damage to your home, household effects, etc.
	<b>Wear gloves before installation or cleaning.</b> Injury could result.
	<b>Securely install parts.</b> Injuries could result if the unit falls.
	<b>Caulk all around the hood.</b> Failure to do so may lead to rainwater infiltration.

## Notes before Installation

- Prepare the following before installation.
  - Caulking material (sealing material for building) <When fixing with anchor bolts>
  - Anchor bolt (M8, stainless): 8 pieces
  - Washer, spring washer, nut (M8, stainless): 8 pieces each
- This product is not intended to resist pollutant gases such as acid, chemical, and hot spring steam. If the product is installed in the following places, maintain the product frequently. Corrosion advances rapidly and the product life may shorten significantly:
  - Chemical factories, the premises of pulp factories and the neighboring areas
  - The places where chemicals are used, such as laboratories in factories and schools
  - Hot spring areas, swimming pools, and places for exhausting sewage
  - Places where corrosive substances or gases are present
  - Places where salt damage may occur (nearby the sea).
- Install the product in the place where it is easy to maintain.
- Direct contact by organic solvents or chemical agents may lead to separation, discoloration, and rust. Follow the following for construction.
  - Outside wall with the tile finishing .....  
Install the outside terminal parts after pickling the tile.
  - Outside wall with the spraying finishing .....  
Install the outside terminal parts after spraying.

Manufactured by: **MITSUBISHI ELECTRIC CORPORATION**

TOKYO BLDG. 2-7-3, MARUNOUCHI, CHIYODA-KU, TOKYO, 100-8310 JAPAN

Importer in EU: MITSUBISHI ELECTRIC EUROPE B.V.

HARMAN HOUSE, 1 GEORGE STREET, UXBRIDGE, MIDDLESEX, UB8 1QQ, U.K.

1704876H01201

